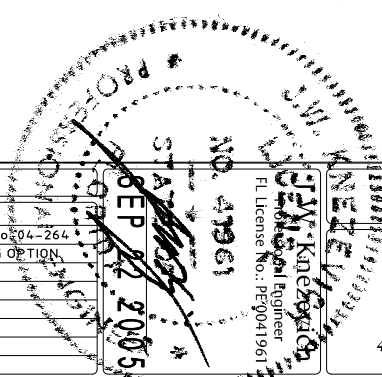


FLORIDA BUILDING CODE, 2004

drawing no. <b>05-355</b>	date 06/08/2005	scale AS NOTED	design by NW	checked by MCR
Sheet 2 of 3				

revisions			
no	date	by	description
0	06/08/05	VJK	PREVIOUSLY DRAWING No. 04-264
0	09/22/05	NW	NEW SHUTTER CLOSING OPTION



**BAHAMA SHUTTER**

*Town & Country*  
INDUSTRIES, INC.  
A Division of ABC Supply Co., Inc.  
400 West McNab Road • Fort Lauderdale, FL 33309  
Phone: (866) 220-5019 • Fax: (954) 970-7705

**Thornton-Tomasetti Group**

330 N. Andrews Ave., Suite 450 • Ft. Lauderdale, FL 33301  
Tel. (954) 522-3690 • Fax (954) 522-3691 • COA # 7519  
Website: www.TheTTGroup.com

Copyright © 2005 Thornton-Tomasetti Group, Inc.

**ANCHOR NOTE 1:**

- CONNECTION IN MIN. 3 KSI CONCRETE:
- 1/4"  $\phi$  ITW TAPCONS @ 12" O.C. WITH 1-3/4" MIN. EMBED. AND 2" MIN. EDGE DIST.
- 1/4"  $\phi$  M/F ELCO PANELMATE @ 12" O.C. WITH 1-3/4" MIN. EMBED. AND 2" MIN. EDGE DIST.
- 1/4"-20 ALL POINTS SOLID SET ANCHOR @ 12" O.C. WITH 7/8" MIN. EMBED. AND 2" MIN. EDGE DIST.
- CONNECTION IN HOLLOW CONCRETE BLOCK:
- 1/4"  $\phi$  ITW TAPCONS @ 12" O.C. WITH 1-1/4" MIN. EMBED. AND 2" MIN. EDGE DIST.
- 1/4"  $\phi$  M/F ELCO PANELMATE @ 12" O.C. WITH 1-1/4" MIN. EMBED. AND 2" MIN. EDGE DIST.
- 1/4"-20 M/F ELCO PANELMATE @ 12" O.C. WITH 1-1/4" MIN. EMBED. AND 2" MIN. EDGE DIST.
- CONNECTION IN WOOD:
- #10 WOOD SCREW @ 12" O.C. WITH 1-1/2" MIN. EMBED. AND 3/4" MIN. EDGE DIST.

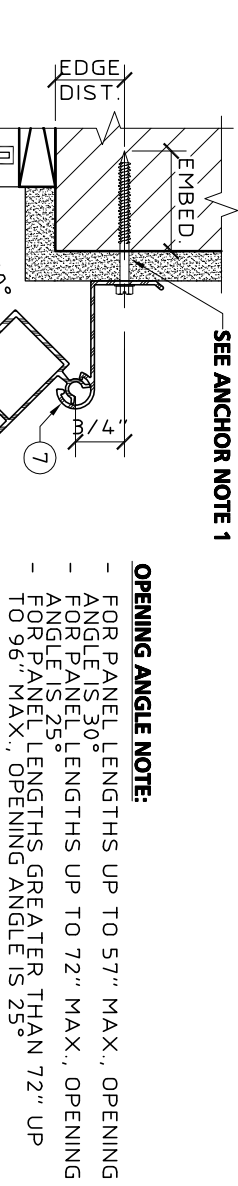
**ANCHOR NOTE 2:**

- CONNECTION IN MIN. 3 KSI CONCRETE:
- (1) 1/4"  $\phi$  ITW TAPCONS WITH 1-3/4" MIN. EMBED. AND 2" MIN. EDGE DIST.
- (3) 1/4"-20 M/F ELCO PANELMATES WITH 1-3/4" MIN. EMBED. AND 2" MIN. EDGE DIST.
- (3) 1/4"-20 ALL POINTS SOLID SET ANCHORS WITH 7/8" MIN. EMBED. AND 2" MIN. EDGE DIST.
- CONNECTION IN HOLLOW CONCRETE BLOCK:
- (1) 1/4"  $\phi$  ITW TAPCONS WITH 1-1/4" MIN. EMBED. AND 2" MIN. EDGE DIST.
- (3) 1/4"  $\phi$  M/F ELCO PANELMATES WITH 1-1/4" MIN. EMBED. AND 2" MIN. EDGE DIST.
- (3) 1/4"-20 M/F ELCO PANELMATES WITH 1-1/4" MIN. EMBED. AND 2" MIN. EDGE DIST.
- (3) 1/4"-20 ALL POINTS SOLID SET ANCHORS WITH 7/8" MIN. EMBED. AND 2" MIN. EDGE DIST.
- CONNECTION IN WOOD:
- (3) #10 WOOD SCREWS WITH 1-1/2" MIN. EMBED. AND 3/4" MIN. EDGE DIST.

**ANCHOR NOTE 3:**

- CONNECTION IN MIN. 3 KSI CONCRETE:
- (1) 5/16"-18 POWERS FASTENER CALK-IN WITH 1" MIN. EMBED. AND 2-1/2" MIN. EDGE DIST.
- CONNECTION IN HOLLOW CONCRETE BLOCK:
- FOR L.S. IS LESS THAN OR EQUAL TO 6'-0", AND A MAXIMUM MULLION SPACING OF 24".
- USE (1) 5/16"-18 POWERS FASTENER CALK-IN WITH 1" MIN. EMBED. AND 2-1/2" MIN. EDGE DIST.
- FOR L.S. IS GREATER THAN 6'-0" OR MULLION SPACING GREATER THAN 24", SITE SPECIFIC ENGINEERING IS REQUIRED.
- CONNECTION IN WOOD:
- (2) 3/8"  $\phi$  LAG SCREWS WITH 1-3/4" MIN. EMBED. AND 3/4" MIN. EDGE DIST.

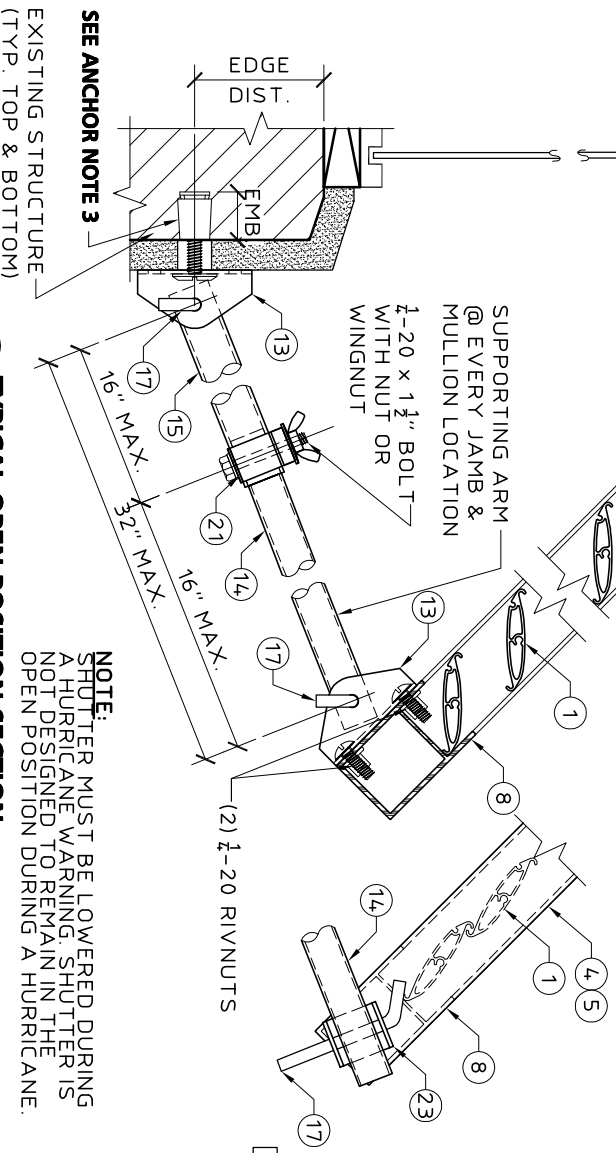
**SEE ANCHOR NOTE 1**



**OPENING ANGLE NOTE:**

- FOR PANEL LENGTHS UP TO 57" MAX., OPENING ANGLE IS 30°
- FOR PANEL LENGTHS UP TO 72" MAX., OPENING ANGLE IS 25°
- FOR PANEL LENGTHS GREATER THAN 72" UP TO 96" MAX., OPENING ANGLE IS 25°

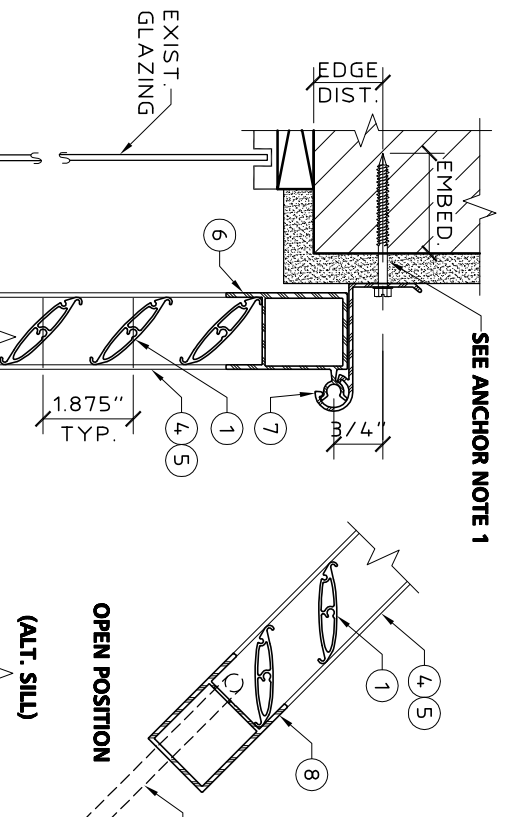
**(ARM TO JAMB CONNECTION)**



**(TYPICAL OPEN POSITION SECTION)**

SCALE: 3" = 1'-0"

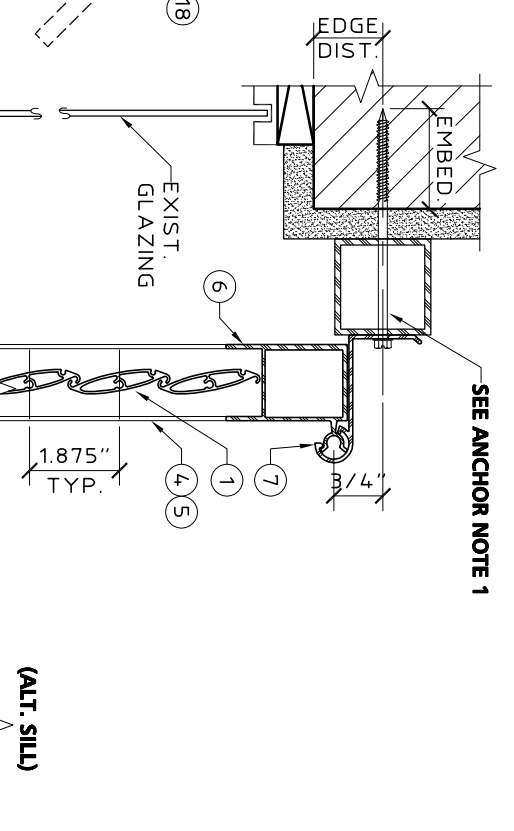
**SEE ANCHOR NOTE 1**



**OPEN POSITION**

(ALT. SILL)

**SEE ANCHOR NOTE 1**



(ALT. SILL)

**SEE ANCHOR NOTE 2**

(EXISTING STRUCTURE (TYP. TOP & BOTTOM))

**(TYPICAL CLOSED POSITION SECTION)**

SCALE: 3" = 1'-0"

(EXISTING STRUCTURE (TYP. TOP & BOTTOM))

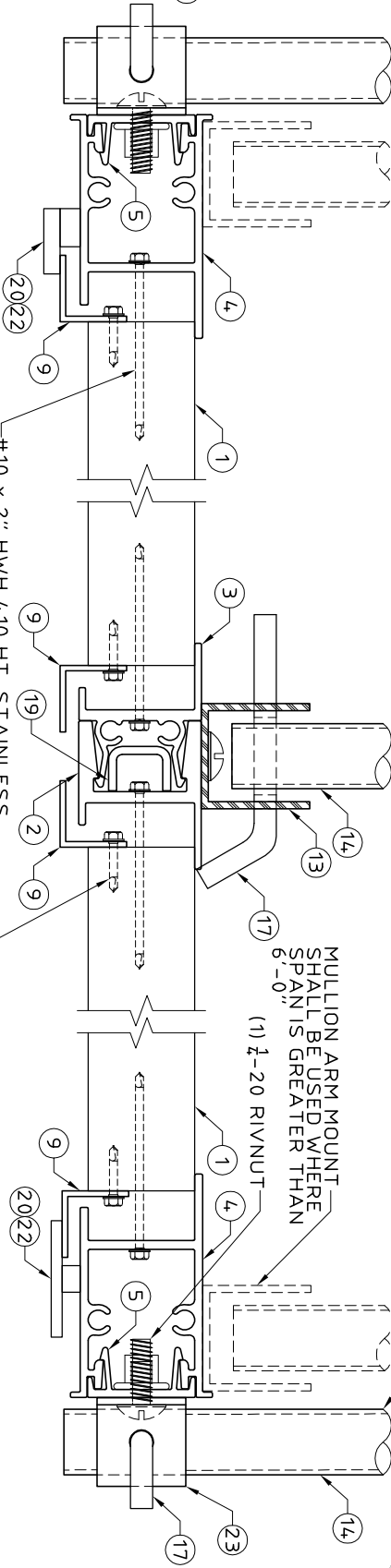
**(TYPICAL BUILD-OUT CLOSED POSITION SECTION)**

SCALE: 3" = 1'-0"

(2" x 2" x 1/8" x CONT. ALUM. ALLOY BEAM (TYP. TOP & BOTTOM))

SIDE ARM MOUNT SHALL ONLY BE USED WHERE SPAN IS GREATER THAN 6'-0"

MULLION ARM MOUNT SHALL BE USED WHERE SPAN IS GREATER THAN 6'-0"



#10 x 2" HWH 4-10 HT. STAINLESS STEEL SCREW X NYLON COATING OR EQUIV. WITH 1/2" NYLON END CAP & SPACER

**(TYPICAL PLAN VIEW)**

SCALE: HALF SIZE

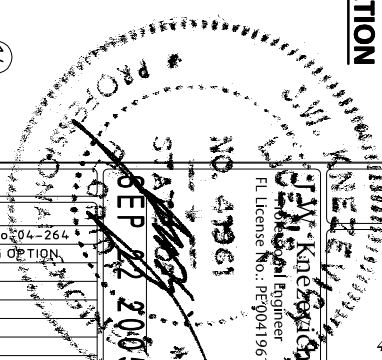
FLORIDA BUILDING CODE, 2004

no	date	by	description
0	06/08/05	VJK	PREVIOUSLY DRAWING No. 04-264
0	09/22/05	NW	NEW SHUTTER CLOSING OPTION

revisions	date	by	description
0	06/08/05	VJK	PREVIOUSLY DRAWING No. 04-264
0	09/22/05	NW	NEW SHUTTER CLOSING OPTION

date: 06/08/2005  
 scale: AS NOTED  
 design by: NW  
 checked by: JMW

drawing no.: 05-355  
 sheet 3 of 3



BAHAMA SHUTTER

Town & Country INDUSTRIES, INC.  
 A Division of ABC Supply Co., Inc.  
 400 West McNab Road • Fort Lauderdale, FL 33309  
 Phone: (866) 220-5019 • Fax: (954) 970-7705

Thornton-Tomasetti Group

330 N. Andrews Ave., Suite 450 • Ft. Lauderdale, FL 33301  
 Tel. (954) 522-3690 • Fax (954) 522-3691 • COA # 7519  
 Website: www.TheTTGroup.com

Copyright © 2005 Thornton-Tomasetti Group, Inc.